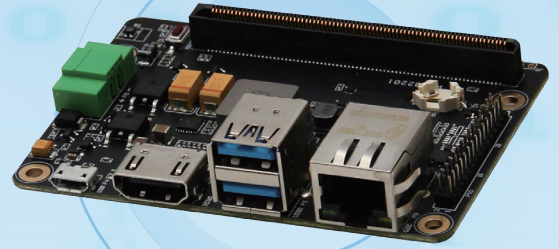


Y-C1 Carrier Board



Key Feature

- Compatible with Jetson™ TX2 / TX2i
- Display: 1×HDMI
- Rich I/O: 1×RJ45, 2×USB3.0 Type-A, 1×Micro USB, 1×Micro SD, 2×CAN, 4×GPIO, 1×I2C, 3×TTL
- Operating Temperature: -40°C ~ +85°C
- Input Voltage: DC 7V ~ 19V

Introduction

Y-C1 is a high-compatibility edge AI carrier board designed for NVIDIA® Jetson™ TX2 / TX2i . With low cost, small size and high integration, it delivers reliable hardware support for smart IoT terminals and intelligent detection in compact deployments.

It features industrial-grade high-reliability design with ESD, over-voltage and reverse polarity protection, and wide-temperature components for stable operation in harsh environments. A 150-pin high-speed expansion connector supports SATA, PCIe, MIPI CSI, I2C, I2S, SPI and DP signals, enabling flexible integration of multi-camera, high-speed storage and peripheral modules.



Website



Auxiliary ultrasound



Mobile Robot



Intelligent Detection

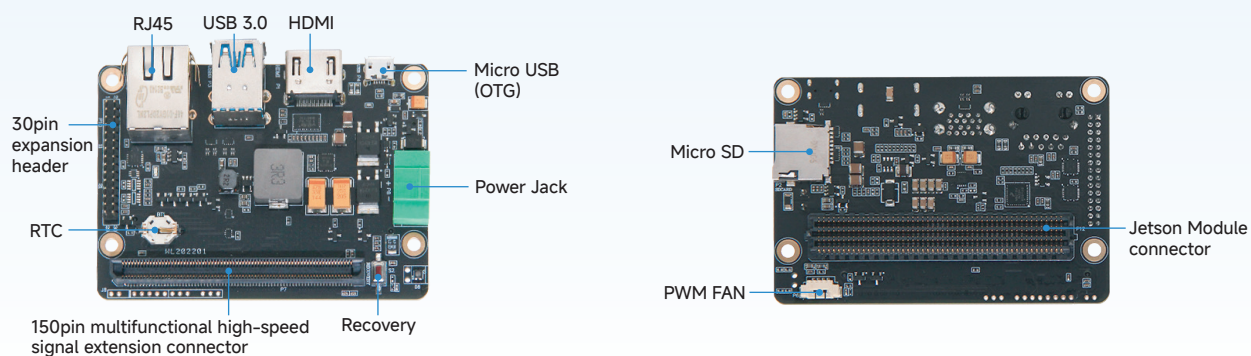


Internet of Things terminal

Specifications

Module	Jetson TX2/TX2i
Display	1 x HDMI
USB	2x USB 3.0 Type-A, 1x Micro USB(OTG)
Networking	1x RJ45
SD Card	Micro SD
Button	1x Recovery
Functional Signals	2x CAN, 4x GPIO, 1x I2C
Serial Ports	4x 3.3V TTL
Temperature	-40°C~+85°C
Dimensions	87mm × 60mm × 25.3mm
Power	DC+7V~ +19V
Weight	51g

Interfaces



Dimensions

